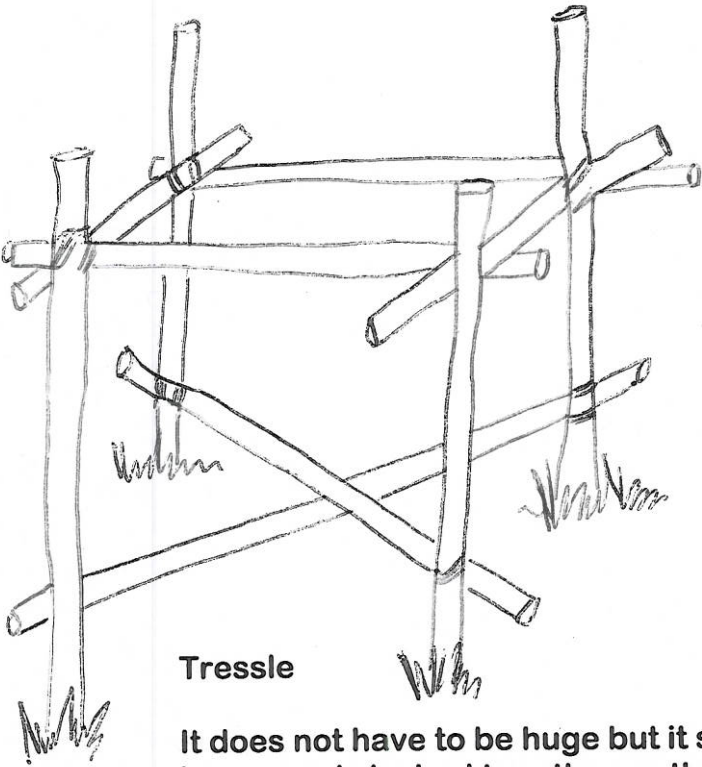


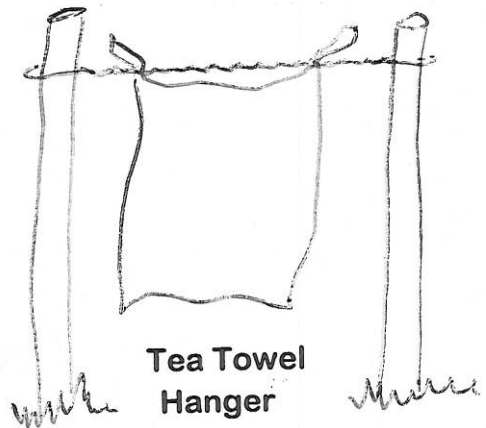
Gadgets for your camp kitchen



Tressle

It does not have to be huge but it should be securely lashed together so that it does not wobble or fall over when you put your billys on it.

If it is difficult to get the upright pieces of wood into the ground use a mallet and wooden peg to make a hole in the ground for them to fit into.

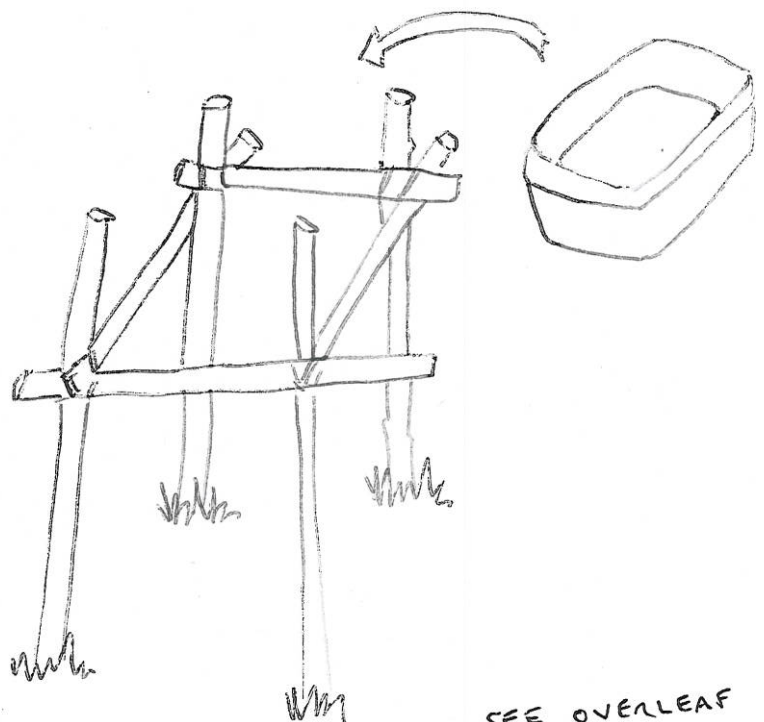
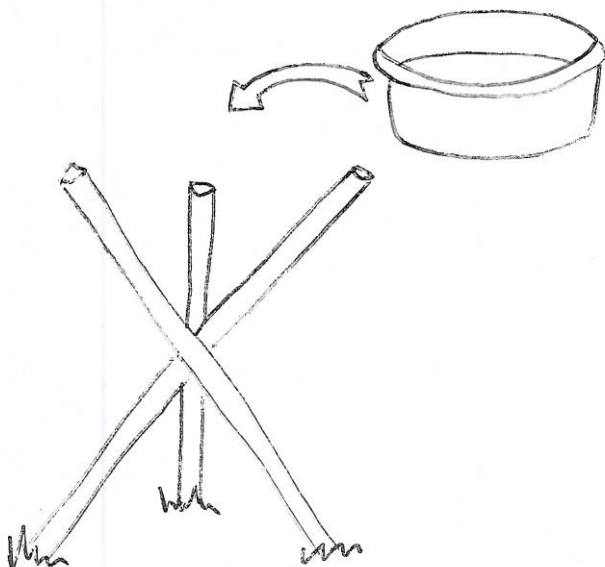


Tea Towel Hanger

When you have made sure the two sticks are secure, twist a length of string between them so that the twists are tight enough for you to pull the corner of the tea towel through.

Washing Bowl Stand

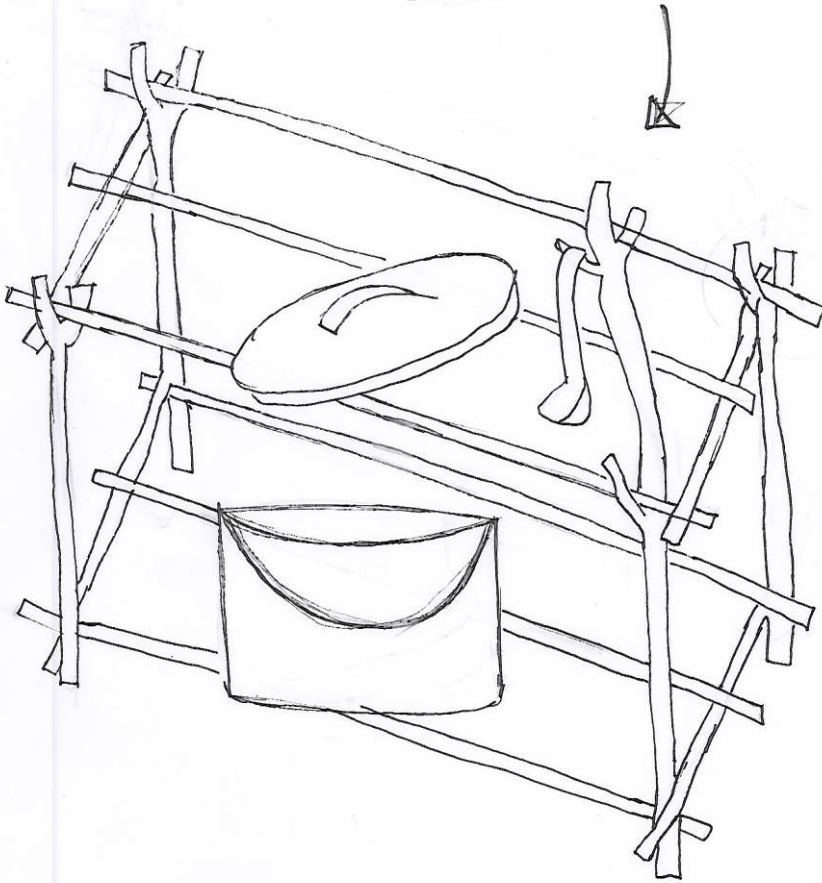
If you have a round bowl it is easiest to make a tripod stand (using three staves). If you have a square bowl make a four-legged stand. Make sure the bowl fits securely before you secure the sticks.



SEE OVERLEAF

MORE KITCHEN GADGETS

TRESSLE



← You DON'T HAVE TO USE FORKED BRANCHES; YOU CAN DO SQUARE LASHINGS INSTEAD.

MUG TREE

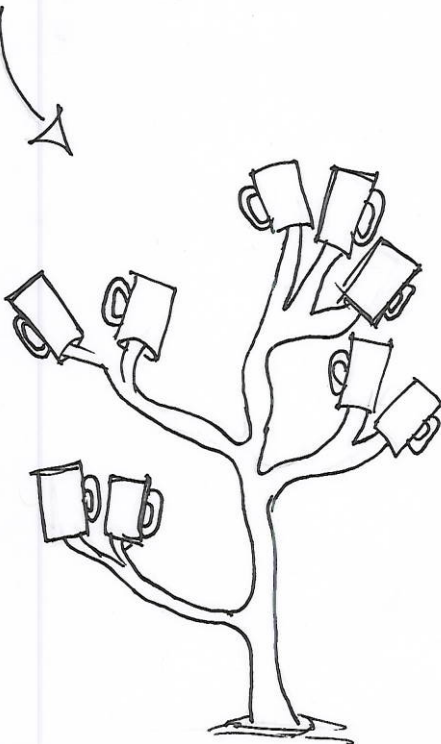
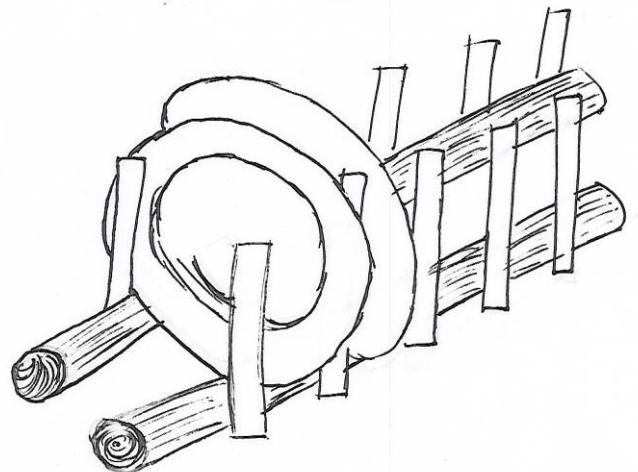


PLATE RACK



SEE OVERLEAF

